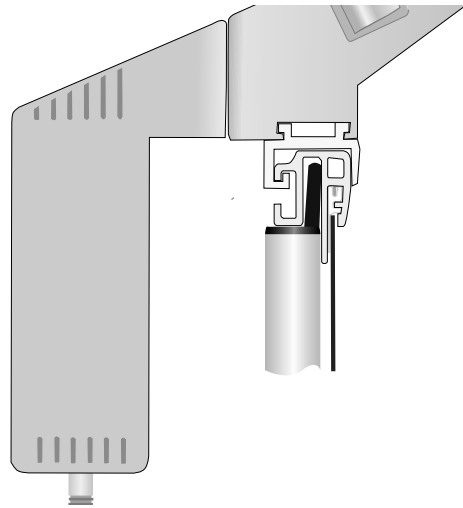
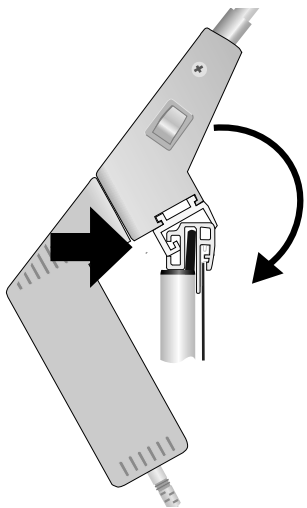


**A**



**SET UP INSTRUCTION**



Graphic No: 10344

